

Metropolitan University, Sylhet

Department of Computer Science and Engineering

Assignment # 1 (Marks: 10) Spring - 2021

Course: CSE-123: Basic Electrical Engineering

Batch: 50 A+B+C

(Answer any **three** questions)

1. Determine the equivalent resistance R_{AB} for the given configuration shown in Figure 1.

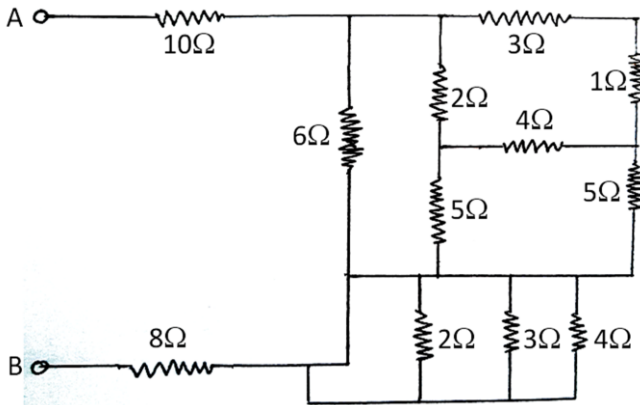


Figure 1

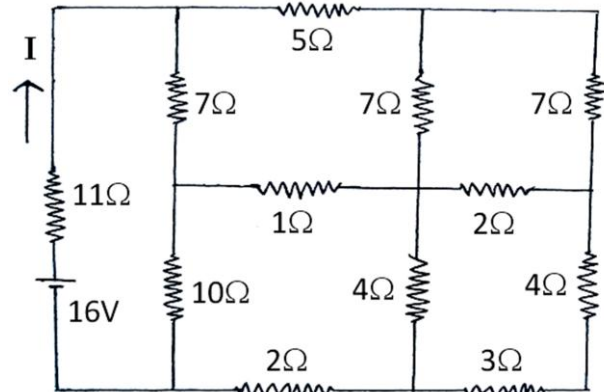


Figure 2

2. Determine the current I for the network shown in Figure 2.
3. Determine the marked unknown parameter of the following circuit shown in Figure 3.

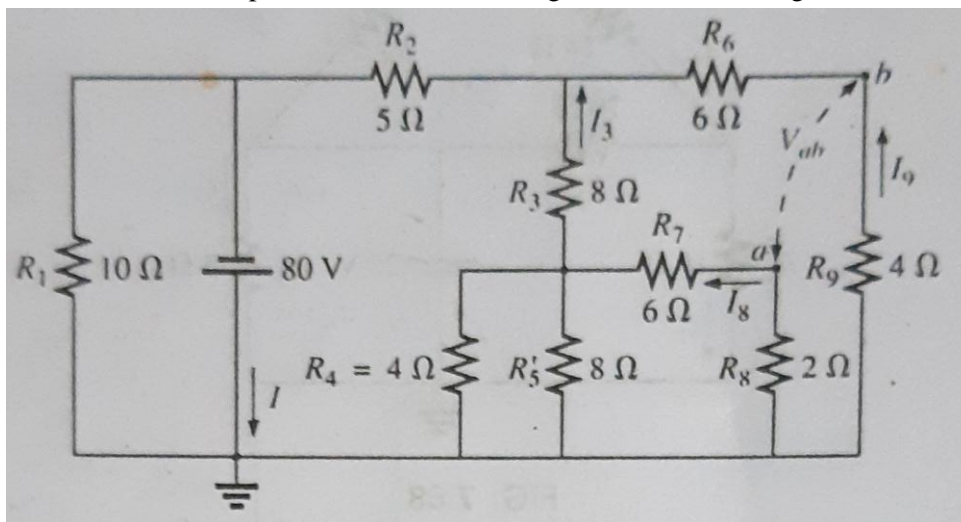


Figure 3